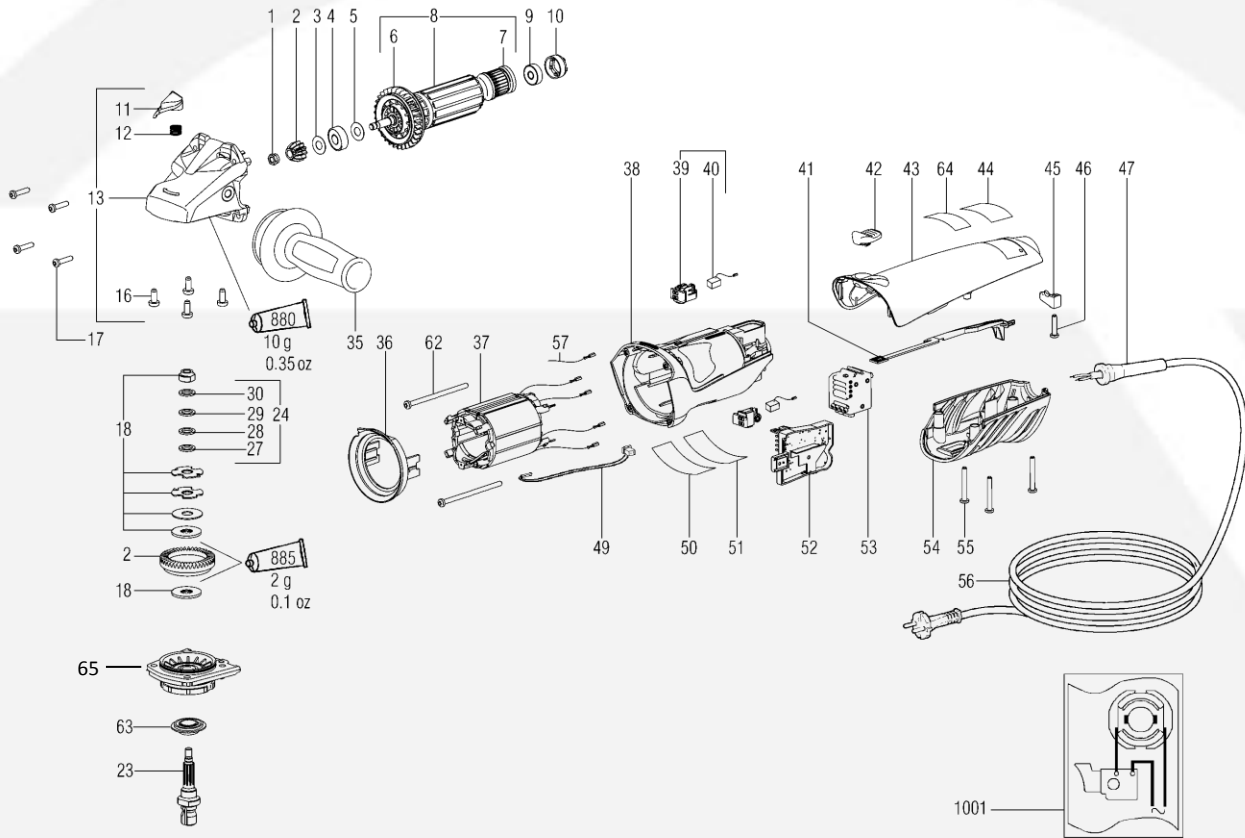


Quick-Step™ Finisher 6275-A (30-A 315)

Exploded view



Part list

Position	Qty/ Qté	Description	Product #/ No. Produit
1	1	Hexagon nut w.recess	48K427
2	1	Bevel gear w.pinion	48L647
3	1	Washer,7,05x19,5x0,2	48K203
4	1	Ball bearing, 8x22x7	48Q263
5	1	Washer	48K202
6	1	Fan w. prot. Grid	48L342
7	1	Tacho disc	48L495
8	1	Armature compl.,230V	48L719
9	1	Ball bearing,6x19x6	48Q260
10	1	Rubber bushing	48L226
11	1	Push button orange	48L236
12	1	Pressure spring	48L237
13	1	Gear housing compl.	48L660
16	4	Fillister head screw	48S132
17	4	Self-tap. fill. h. screw	48S714
18	1	Friction washer cpl.	48K136

Position	Qty/ Qté	Description	Product #/ No. Produit
23	1	Spindle shaft	48L688
24	1	Safety clutch w.pinion,M14	48L709
27	1	Washer 10,2 X 14,8X 0,1	48L075
28	1	Washer 10,2 X 14,8X 0,2	48K163
29	1	Washer 10,2 X 14,8X 1,0	48K204
30	1	Washer 10,2 X 14,8X 0,5	48L093
31	1	Flange nut	48K428
32	1	Clamping nut compl.neutral	30B020
33	1	Clamping flange	48L710
35	1	Anti-vibration handle	32B027
36	1	Baffle	48L255
37	1	Field coil assembly w.field coil,El. 230V	48L720
38	1	Motor housing orange	48L268
39	2	Brush holder compl.cut-off ,230V	48L722
40	1	Carbon brush set 230V	48L724
41	1	Switch rod	48L271
42	1	Switch slide orange	48L480
43	1	Housing cover	48L278
44	1	LED label 230V	48L728
45	1	Cable clip	48M366
46	1	Self-tap. fill. h. screw	48S714
47	1	Cable sleeve	48L083
49	1	Temperature sensor	48L512
50	1	Rating plate	48L731
51	1	Warning Label 52x22	48L565
52	1	Electronic unit,230V / 50/60Hz	48L725
53	1	Switch	48L431
54	1	Housing black	48L492
55	3	Fillister head screw	48S133
56	1	Cable w.socket,110V	48Z201
58	1	Pin spanner	48Z148
62	2	Self-tap. fill. h. screw	48S763
63	1	Sealing washer	48M404
64	1	Quick-Step Finisher Label	48L746
65	1	Flange complete with quick lever	48L240
880	1	Grease 100G	48Z392
885	1	Grease SF 011 50Gr 1,8oz	48Z379
1001	1	Wiring diagram,120V	

