

ULTI-MATE™ 30-A 285 30-A 287 (KIT)



Model 6287B / 30-A285

Instruction manual

English

Manuel d'instructions

Français

Manual de instrucciones

Espanol

Manual de instruções

Portuguese



English

| | |
|-----------------------------------|-----------|
| Product specifications | 3 |
| Accessories | 3 |
| Warranty | 3 |
| Safety instructions | 3 |
| Mounting the Ulti-Mate | 3 |
| Mounting the guard | 3 |
| Mounting the accessories | 4 |
| Using the Ulti-Mate | 4 |
| Optimal speed for the accessories | 4 |
| Utilisation | 5 |
| Maintenance and cleaning | 5 |
| Carbon brushes | 5 |
| Cleaning | 5 |
| Ulti-Mate Parts List | 16 |

Español

| | |
|--------------------------------------|-----------|
| Especificaciones del producto | 9 |
| Accesorios | 9 |
| Garantía | 9 |
| Instrucciones de seguridad | 9 |
| Modo de empleo | 9 |
| Montaje de la protección des disco | 9 |
| Montaje de los consumibles | 10 |
| Uso de la Ulti-Mate | 10 |
| Número de revoluciones óptimo | 10 |
| Uso | 10 |
| Mantenimiento y limpieza | 11 |
| Escobillas de carbón | 11 |
| Limpieza | 11 |
| Despiece de Ulti-Mate | 16 |

Français

| | |
|-------------------------------------|-----------|
| Spécifications du produit | 6 |
| Accessoires | 6 |
| Garantie | 6 |
| Instructions de sécurité | 6 |
| Montage de l'Ulti-Mate | 6 |
| Montage du garde | 6 |
| Montage des accessoires | 7 |
| Utilisation de l'Ult-Mate | 7 |
| Vitesse optimale des consommables | 7 |
| Utilisation de l'Ulti-Mate | 8 |
| Entretien et Nettoyage | 8 |
| Balais de charbon | 8 |
| Nettoyage | 8 |
| Liste de pièces de rechanges | 16 |

Portuguese

| | |
|-------------------------------------|-----------|
| Especificações do produto | 12 |
| Accesórios | 12 |
| Garantia | 12 |
| Instruções de segurança | 12 |
| Montagem da Ulti-Mate | 12 |
| Montagem da capa de proteção | 12 |
| Montagem dos acessórios | 13 |
| Utilização da Ulti-Mate | 13 |
| Velocidade ideal para os acessórios | 13 |
| Utilização | 14 |
| Manutenção e limpeza | 14 |
| Escovas de carbono | 14 |
| Limpeza | 14 |
| Lista de peças | 16 |

Product Specifications

Accessories

- Pin wrench
- Allen keys: 6mm
- Protective cover
- Handle

Warranty

If the machine is used according to instructions WALTER offers a 12-month limited warranty. Parts affected by normal wear and tear fall outside the scope of this warranty. If the user modifies the device during the warranty period, WALTER is released from all warranty obligations.

Safety instructions

Always observe the following safety instructions for the use and maintenance of the Ulti-Mate:

- Do not leave any equipment keys on top of the machine.
- Always use both hands for support.
- Do not overload the equipment.
- Wear suitable clothing.
- Wear safety goggles, dust mask and ear protectors.
- Hold the work piece securely in place with clamps or a bench vice, if necessary. This leaves both hands free for working.
- Avoid abnormal or unsteady posture.
- Do not use any electric tools, machinery or equipment in a wet or damp environment. Never leave electric appliances out in the rain.
- Do not allow the machine to hang or swing from its cable. Do not attempt to unplug the machine from the power socket by pulling on the cable. Protect the cable against heat, oil and sharp objects.
- Check if the switch has been turned off when connecting to a power source.

Operating Instructions

1. Specified Use

The fillet weld grinder, when fitted with original Walter accessories, is suitable for blending, brushing & polishing work on metals & other similar materials.

The ULTI-MATE™ 6" finisher is designed for polishing work. We recommend using the ULTI-MATE™ finisher for precision polishing work in hard-to-reach area and for continuous operation.

Machines with the designation DYNAMAX™ are suited for working at continuous speeds and optimizing product performance. The thumbwheel is used for appropriated speed selection.

The user bears sole responsibility for any damage caused by inappropriate use.

Generally accepted accident prevention regulations and the enclosed safety information must be observed.

2. General Safety Instructions



For your own protection and for the protection of your electrical tool, pay attention to all parts of the text that are marked with this symbol!



WARNING – Reading the operating instructions will reduce the risk of injury.

Pass on your electrical tool only together with these documents.

General Power Tool Safety Warnings



WARNING – Read all safety warnings and instructions. Failure to follow the warnings and instructions may result in electric shock, fire and/or serious injury.

Save all warnings and instructions for future reference! The term "power tool" in the warnings refers to your mains-operated (corded) power tool or battery-operated (cordless) power tool.

2.1 Work area safety

- a) **Keep work area clean and well lit.** *Cluttered or dark areas invite accidents.*
- b) **Do not operate power tools in explosive atmospheres, such as in the presence of flammable liquids, gases or dust.** *Power tools create sparks which may ignite the dust or fumes.*
- c) **Keep children and bystanders away while operating a power tool.** *Distractions can cause you to lose control.*

2.2 Electrical safety

- a) **Power tool plugs must match the outlet. Never modify the plug in any way. Do not use any adapter plugs with earthed (grounded) power tools.** *Unmodified plugs and matching outlets will reduce risk of electric shock.*
- b) **Avoid body contact with earthed or grounded surfaces, such as pipes, radiators, ranges and refrigerators.** *There is an increased risk of electric shock if your body is earthed or grounded.*
- c) **Do not expose power tools to rain or wet conditions.** *Water entering a power tool will increase the risk of electric shock.*
- d) **Do not abuse the cord. Never use the cord for carrying, pulling or unplugging the power tool. Keep cord away from heat, oil, sharp edges or moving parts.** *Damaged or entangled cords increase the risk of electric shock.*
- e) **When operating a power tool outdoors, use an extension cord suitable for outdoor use.** *Use of a cord suitable for outdoor use reduces the risk of electric shock.*
- f) **If operating a power tool in a damp location is unavoidable, use a residual current device (RCD) protected supply.** *Use of an RCD reduces the risk of electric shock.*

2.3 Personal safety

- a) **Stay alert, watch what you are doing and use common sense when operating a power tool. Do not use a power tool while you are tired or under the influence of drugs, alcohol or medication.** *A moment of inattention while operating power tools may result in serious personal injury.*
- b) **Use personal protective equipment. Always wear eye protection.** *Protective equipment such as dust mask, non-skid safety shoes, hard hat, or hearing protection used for appropriate conditions will reduce personal injuries.*
- c) **Prevent unintentional starting. Ensure the switch is in the off-position before connecting to power source and/or battery pack, picking up or carrying the tool.** *Carrying power tools with your finger on the switch or energizing power tools that have the switch on invites accidents.*
- d) **Remove any adjusting key or wrench before turning the power tool on.** *A wrench or a key left attached to a rotating part of the power tool may result in personal injury.*
- e) **Do not overreach. Keep proper footing and balance at all times.** *This enables better control of the power tool in unexpected situations.*
- f) **Dress properly. Do not wear loose clothing or jewellery. Keep your hair, clothing and gloves away from moving parts.** *Loose clothes, jewellery or long hair can be caught in moving parts.*
- g) **If devices are provided for the connection of dust extraction and collection facilities, ensure these are connected and properly used.** *Use of dust collection can reduce dust-related hazards.*

2.4 Power tool use and care

- a) **Do not force the power tool. Use the correct power tool for your application.** *The correct power tool will do the job better and safer at the rate for which it was designed.*
- b) **Do not use the power tool if the switch does not turn it on and off.** *Any power tool that cannot be controlled with the switch is dangerous and must be repaired.*
- c) **Disconnect the plug from the power source and/or the battery pack from the power tool before making any adjustments, changing accessories, or storing power tools.** *Such preventive safety measures reduce the risk of starting the power tool accidentally.*
- d) **Store idle power tools out of the reach of children and do not allow persons unfamiliar with the power tool or these instructions to operate the power tool.** *Power tools are dangerous in the hands of untrained users.*
- e) **Maintain power tools. Check for misalignment or binding of moving parts, breakage of parts and any other condition that may affect the power tool's operation. If damaged, have the power tool repaired before use.** *Many accidents are caused by poorly maintained power tools.*
- f) **Keep cutting tools sharp and clean.** *Properly maintained cutting tools with sharp cutting edges are less likely to bind and are easier to control.*
- g) **Use the power tool, accessories and tool bits etc. in accordance with these instructions, taking into account the working conditions and the work to be performed.** *Use of the power tool for operations different from those intended could result in a hazardous situation.*

2.5 Service

- a) **Have your power tool serviced by an authorized Walter service center.** *This will ensure that the safety of the power tool is maintained.*

3. Special Safety Instructions

3.1 Safety Warnings Common for Polishing (only for model 6287B).

Operations:

- a) **This power tool is intended to function as a polisher. Read all safety warnings, instructions, illustrations, and specifications provided with this power tool.** *Failure to follow all instructions listed below may result in electric shock, fire and/or serious injury. The ULTI-MATE POLISHER 6" is to be used as polishing tool only.*
- b) **Operations such as grinding, sanding, wire-brushing, cutting-off are not recommended to be performed with this power tool.** Operations for which the power tool was not designed may create a hazard and cause personal injury.
- c) **Do not use accessories which are not specifically designed and recommended by the tool manufacturer.** Just because the accessory can be attached to your power tool, it does not assure safe operation.
- d) **The rated speed of the accessory must be at least equal to the maximum speed marked on the power tool.** Accessories running faster than their rated speed can break and fly apart.
- e) **The outside diameter and the thickness of your accessory must be within the capacity rating of your power tool.** Incorrectly sized accessories cannot be adequately guarded or controlled.
- f) **Threaded mounting of accessories must match the GRINDER spindle thread. For accessories mounted by FLANGES, the arbour hole of the accessory must fit the locating diameter of the FLANGE.** Accessories that do not match the mounting hardware of the power tool will run out of balance, vibrate excessively and may cause loss of control.
- g) **Do not use a damaged accessory. Before each use inspect the accessory such as abrasive wheels for chips and cracks, backing pad for cracks, tear or excess wear, wire brush for loose or cracked wires. If a power tool or accessory is dropped, inspect for damage or install an undamaged accessory. After inspecting and installing an accessory, position yourself and bystanders away from the plane of the rotating accessory and run the power tool at maximum no-load speed for one minute.** Damaged accessories will normally break apart during this test time.
- h) **Wear personal protective equipment. Depending on application, use face shield, safety goggles or safety glasses. As appropriate, wear dust mask, hearing protectors, gloves and workshop apron capable of stopping small abrasive or workpiece fragments.** The eye protection must be capable of stopping flying debris generated by various operations. The dust mask or respirator must be capable of filtering particles generated by your operation. Prolonged exposure to high intensity noise may cause hearing loss.
- i) **Keep bystanders a safe distance away from work area. Anyone entering the work area must wear personal protective equipment.** Fragments of workpiece or of a broken accessory may fly away and cause injury beyond immediate area of operation.
- j) **Hold the power tool by insulated gripping surfaces only, when performing an operation where the cutting accessory may contact hidden wiring or its own cord.** Cutting accessory contacting a "live" wire may make exposed metal parts of the power tool "live" and give the operator an electric shock.
- k) **Position the cord clear of the spinning accessory.** If you lose control, the cord may be cut or snagged and your hand or arm may be pulled into the spinning accessory.
- l) **Never lay the power tool down until the accessory has come to a complete stop.** The spinning accessory may grab the surface and pull the power tool out of your control.
- m) **Do not run the power tool while carrying it at your side.** Accidental contact with the spinning accessory could snag your clothing, pulling the accessory into your body.
- n) **Regularly clean the power tool's air vents.** The motor's fan will draw the dust inside the housing and excessive accumulation of powdered metal may cause electrical hazards.
- o) **Do not operate the power tool near flammable materials.** Sparks could ignite these materials.
- p) **Do not use accessories that require liquid coolants.** Using water or other liquid coolants may result in electrocution or shock.

3.2 Kickback and Related Warnings

Kickback is a sudden reaction to a pinched or snagged rotating wheel, backing pad, brush or any other accessory. Pinching or snagging causes rapid stalling of the rotating accessory which in turn causes the uncontrolled power tool to be forced in the direction opposite of the accessory's rotation at the point of the binding. For example, if an abrasive wheel is snagged or pinched by the workpiece, the edge of the wheel that is entering into the pinch point can dig into the surface of the material causing the wheel to climb out or kick out. The wheel may either jump toward or away from the operator, depending on direction of the wheel's movement at the point of pinching. Abrasive wheels may also break under these conditions.

Kickback is the result of power tool misuse and/or incorrect operating procedures or conditions and can be avoided by taking proper precautions as given below.

- a) **Maintain a firm grip on the power tool and position your body and arm to allow you to resist kickback forces. Always use auxiliary handle, if provided, for maximum control over kickback or torque reaction during start-up.** The operator can control torque reactions or kickback forces, if proper precautions are taken.
- b) **Never place your hand near the rotating accessory.** Accessory may kickback over your hand.
- c) **Do not position your body in the area where power tool will move if kickback occurs.** Kickback will propel the tool in direction opposite to the wheel's movement at the point of snagging.
- d) **Use special care when working corners, sharp edges etc. Avoid bouncing and snagging the accessory.** Corners, sharp edges or bouncing have a tendency to snag the rotating accessory and cause loss of control or kickback.
- e) **Do not attach a saw chain woodcarving blade or toothed saw blade.** Such blades create frequent kickback and loss of control.

3.3 Safety Warnings Specific for Polishing Operations:

- a) **Do not allow any loose portion of the polishing bonnet or its attachment strings to spin freely. Tuck away or trim any loose attachment strings.** Loose and spinning attachment strings can entangle your fingers or snag on the workpiece.

3.4 Additional Safety Instructions: WARNING



– Always wear protective goggles.



WARNING – To reduce risk of injury, use only accessories rated at least equal to the maximum speed marked on the tool.

- a) Use only accessories that are specified in the mounting accessories section 5.1 of this manual.
- b) Use elastic cushioning layers if they have been supplied with the polishing media and if required.
- c) Observe the specifications of the tool or accessory manufacturer! Protect the discs from grease or impacts!
- d) Polishing discs should be stored and handled in accordance with the manufacturer's instructions.
- e) **Never use bonded abrasive cutting discs or grinding wheels** with the ULTI-MATE™ Polishing tool.
- f) The workpiece must lay flat and be secured against slipping, e.g. using clamps. Large workpieces must be sufficiently supported.
- g) Damaged, eccentric, or vibrating tools must not be used.
- h) Pull the plug out of the socket before making any adjustments, converting, or servicing the machine.
- i) Secure small workpieces. For example, clamp in a vice.

⚠ WARNING

Additional Warnings:

Some dust created by power polishing, sanding, sawing, grinding, drilling, and other construction activities contains chemicals known to cause cancer, birth defects or other reproductive harm. Some examples of these chemicals are:

- Lead from lead-based paints,
- Crystalline silica from bricks and cement and other masonry products, and
- Arsenic and chromium from chemically treated lumber.

Your risk from these exposures varies, depending on how often you do this type of work. To reduce your exposure to these chemicals: work in a well-ventilated area, and work with approved safety equipment, such as dust appropriate respiratory equipment.

Symbols on the tool:

- ☐ Class II Construction
- V volts
- A amperes
- Hz hertz
- W watts
- ∅ max. diameter of the accessory
- .../min revolutions per minute (rpm)
- ~ alternating current
- ≈ alternating current /direct current n..... rated speed

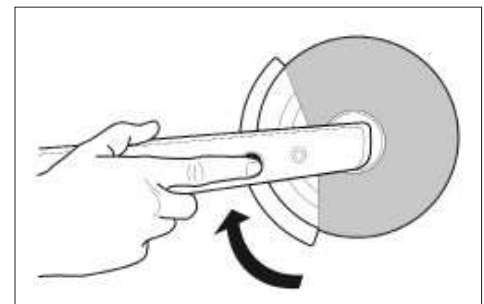


The "C" and "US" indicators adjacent to the CSA Mark signify that the product has been evaluated to the applicable CSA and ANSI/ UL Standards, for use in Canada and the U.S., respectively.

4. Mounting the Ulti-Mate

4.1 Mounting the dust shield.

- Push the button on the back of the arm and keep it pushed in.
- Slide with the other hand the shield from bottom to top into the slot.
- First slide the guide with the biggest diameter about 5mm in the outer slot. Next follows the guide with the smallest diameter, which slides into the inner slot.
- **ATTENTION:** Never attempt to slide both guides at the same time in the slots, this will not work. Always start with the outer slide, the inner slide will follow automatically.
- Place the shield in the desired position.
- Unleash the button to secure the position.

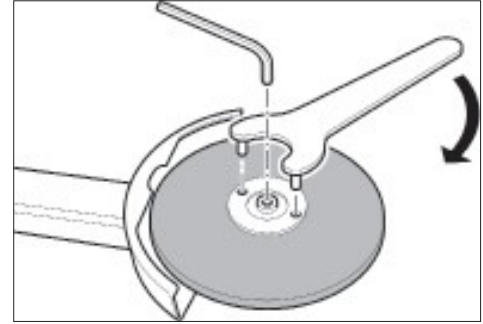


4.2 Relocating the shield.

- Push the button on the back of the arm and keep it pushed in.
- Shift the shield until it reaches the desired position.
- Unleash the button again.

4.3 Mounting the accessories.

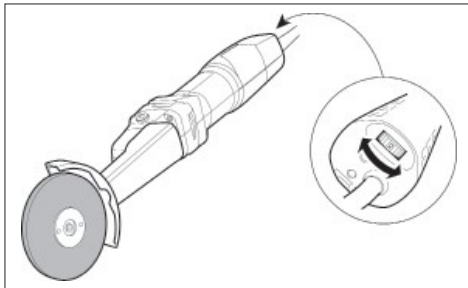
- Turn the side of the lower flange with the correct collar diameter to face upwards.
- The collar diameter depends on the axis diameter of the accessory.
- Place the accessory disc on the lower flange.
- Lock the drive shaft with a No. 6 Allen key.
- Fit the flange nut.
- Secure the flange nut with the pin wrench and No. 6 Allen key.



The Ulti-Mate is a finishing tool uniquely and may only be used with recommended products. Consult a WALTER applications expert to determine the correct type of finishing disc for each application.

5. Using the Ulti-Mate™

5.1 Optimal speed for the accessories.



Rpm setting

| Setting | RPM |
|---------|--------|
| 1 | 2 850 |
| 2 | 4 000 |
| 3 | 6 000 |
| 4 | 7 500 |
| 5 | 9 000 |
| 6 | 10 000 |

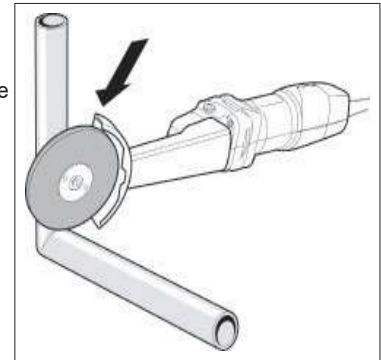
As a rule never exceed the maximum speed indicated by the manufacturer!

WALTER's recommendations

| Type of the accessory | RPM | Position |
|-----------------------|-------|----------|
| Enduro-Flex 2in1 | 7 500 | 4 |
| Blendex U Turbo | 7 500 | 4 |
| Blendex U | 7 500 | 4 |
| FX Stainless | 4 000 | 2 |
| Felt wheel | 2 850 | 1 |

Proper use

Set the Ulti-Mate to the recommended speed. Press the rotating finishing disc, by applying gentle pressure, to the area to be finished. Move slowly across the surface to create an even pattern until the desired finish is achieved.



Maintenance and cleaning

Carbon brushes

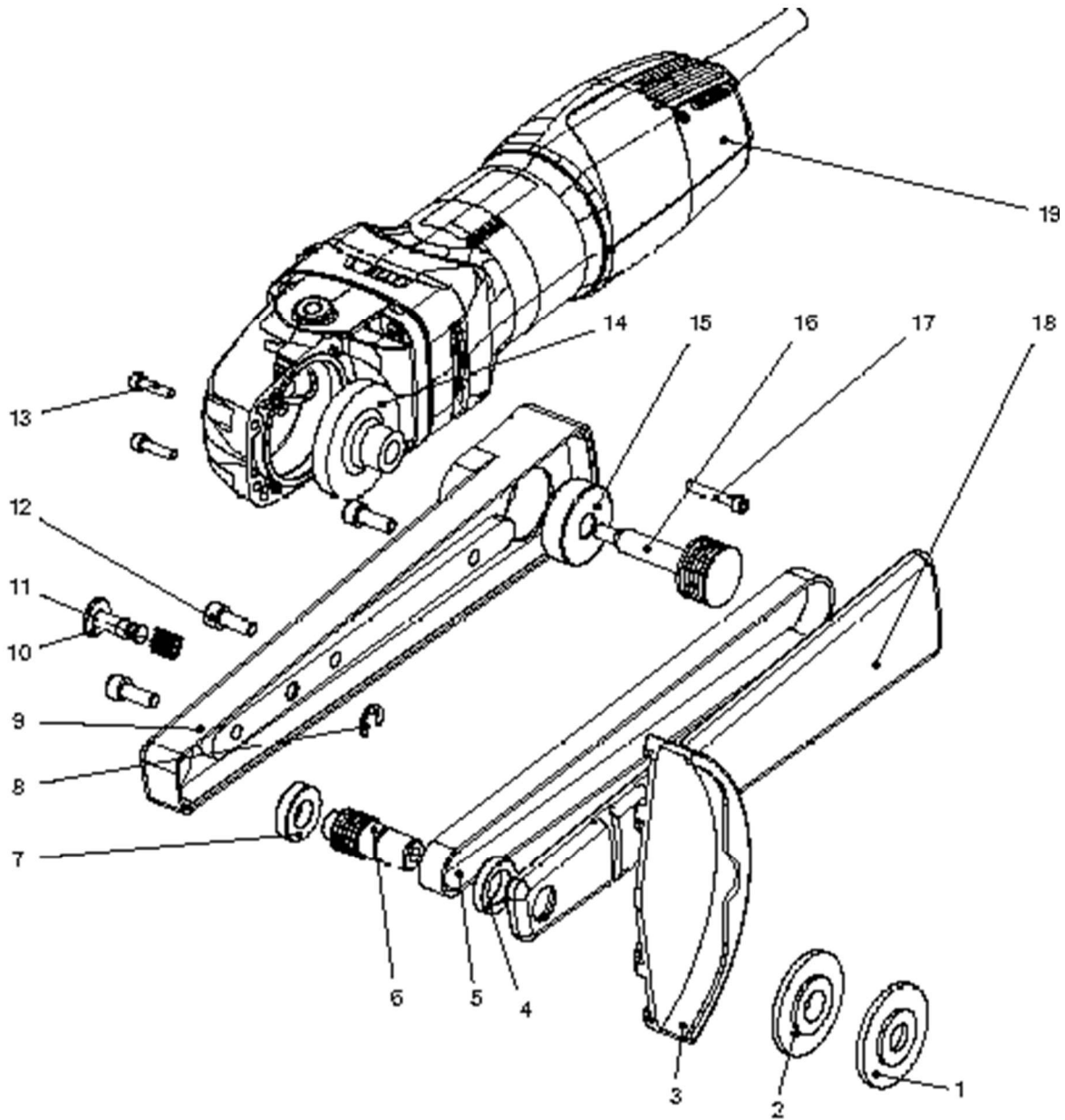
The carbon brushes may wear down to the white marking. Replace carbon brushes with spare brushes from WALTER only. Using other carbon brushes results in loss of warranty. The carbon brushes may be ordered from WALTER.

You can observe the brush sparks via the air slits. Turn the machine off immediately if the sparks are too strong. To prevent further significant damage we advise sending the machine to our authorized service centers for repair.

Cleaning

Ensure that the machine and the ventilation slots are always kept clean so you can work efficiently and safely. In extreme working conditions, such as finishing metals, conductive dust can collect inside the machine. In that case we advise the regular use of a compressor to clean the ventilation slits. Also use a grounded switch in the electric connection.

Ulti-Mate – Parts List



| NO. | DESCRIPTION | QTY | ORDER | NO. | DESCRIPTION | QTY | ORDER |
|-----|--|-----|--------|-----|---------------------------------|-----|--------|
| 1 | FLANGE NUT 5/8"-11 | 1 | 48K622 | 2 | LOWER FLANGE | 1 | 48T001 |
| 3 | PROTECTIVE COVER | 1 | 48T002 | 4 | BALL BEARING 6803-2RS | 1 | 48Q270 |
| 5 | MULTI V-BELT PJ559X11.6MM | 1 | 48T003 | 6 | DRIVE SHAFT | 1 | 48T004 |
| 7 | BALL BEARING 6901Z | 1 | 48Q271 | 8 | RETAINER RING DIN6799 BORE 6 | 1 | 48T005 |
| 9 | BASE PIECE | 1 | 48T006 | 10 | PROTECTIVE COVER LOCK | 1 | 48T007 |
| 11 | SPRING LOCK | 1 | 48T008 | 12 | M6X16 SCREW | 3 | 48S170 |
| 13 | M5X20 SCREW M5X20 VIS M5X20 TORNILLO M5X20 PARAFUGO | 2 | 48S173 | 14 | TOOTHED WHEEL | 1 | 48T009 |
| 15 | BALL BEARING 6300RS | 1 | 48Q272 | 16 | DRIVE SHAFT | 1 | 48T010 |
| 17 | M5X20 SCREW M5X20 VIS M5X20 TORNILLO M5X20 PARAFUGO | 1 | 48S173 | 18 | LID | 1 | 48T011 |
| 19 | QUICK-STEP FINISHER | 1 | 30A275 | | | | |